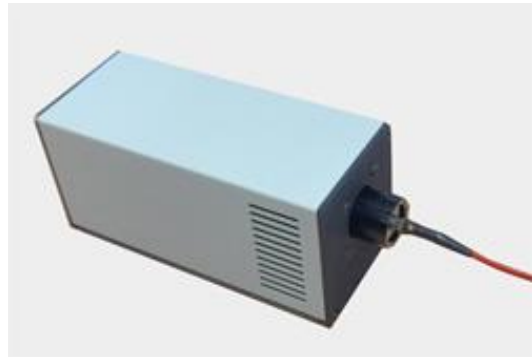


FC-NDT-LED High Power Filtered Fiber-Coupled UV LED Light Source

Ver. 3.0

Introduction

FC-NDT-LED High-Power UV 365 nm fiber-coupled LED light sources are designed especially for NDT illumination with videoscopes, boroscopes as well as any other applications requiring high brightness fiber coupled filtered UV light source. The FC-NDT-LED housing is self-contained light source including all necessary driver electronics and thermal management, no special controller box is required to operate the module if used at factory preset power (max. power).



Key Features

- Single chip High Brightness UV LED light source
- Filtered 365nm UV light to eliminate residual visible light
- Optional Remote Controller for Power and ON/OFF control
- Optional control form computer via USB or RS232
- Remote control by I²C protocol for OEMs
- Long life



Applications

- NDT applications with Videoscope
- Illumination through very small apertures

Optical Specifications

For standard video-scope fiber P/N: P40-LG500-063 (Outer diameter 1.0mm, Core diameter 500um, NA: 0.63, Length 4m) the 1200 [$\mu\text{W}/\text{cm}^2$] as achieved at 1.125 inch distance from fiber distal end. White light is <0.5FC. (white light is >1FC at 0.2 inch distance)

- For details on optical fibers, please see Ordering Information section

Main Office

Phone: +972-72-2500097
Fax: +972-72-2500096
sales@lumi.works

European Sales Office

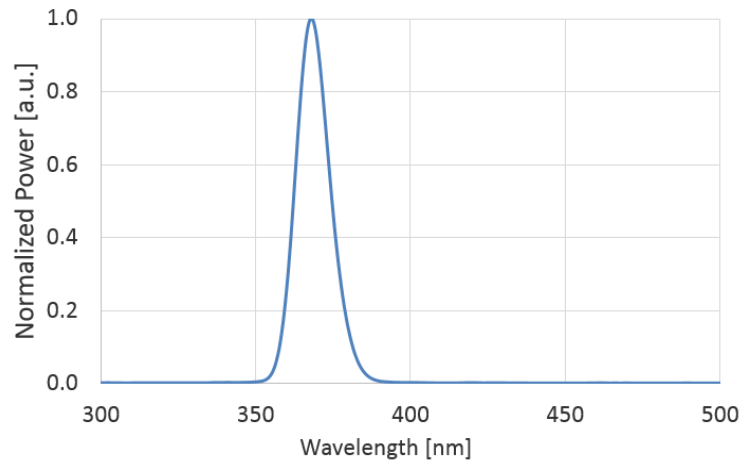
Phone: +44-(0)77-9172-9592
Fax: +44-(0)20-7681-2977
sales.europe@lumi.works

North America Sales Office

Phone: +1-(248)-436-8160
Fax: +1-(248)-281-5236
sales.usa@lumi.works

Lumiworks-Photonics Ltd. P.O.B. 244 Givat-Shmuel 5410102, Israel

Lumiworks



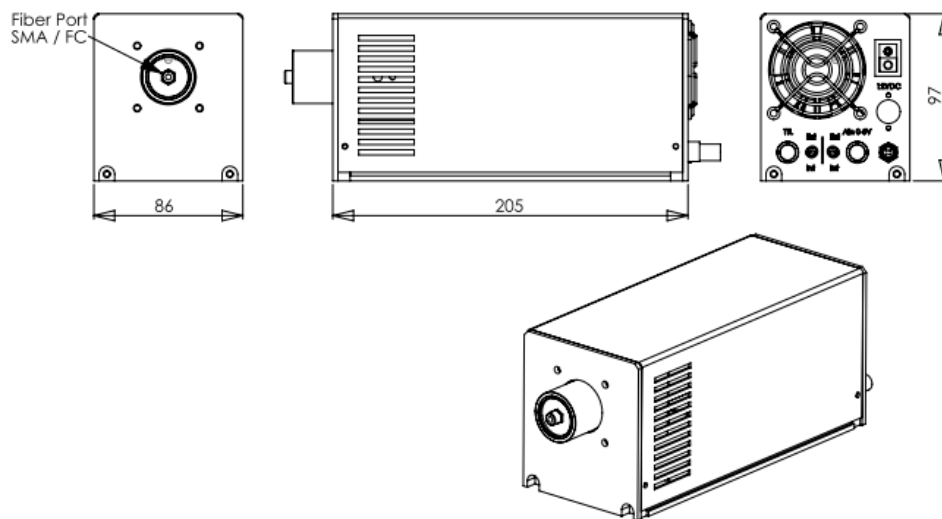
Electrical Specifications

Digital modulation (TTL Input)	Hz	DC-30000
Analog modulation (Analog Input)	Hz	DC-100
Analog power control	%	0-100
ON/OFF		Power switch or by TTL signal
Input Voltage	V	12

General Specifications

Operation temperature range	°C	10 - 35
Storage temperature range	°C	-10 - 55
Operating relative humidity (Non-condensing)	%	<90
Head weight	g	750

Mechanical Drawings



Main Office

Phone: +972-72-2500097
Fax: +972-72-2500096
sales@lumi.works

European Sales Office

Phone: +44-(0)77-9172-9592
Fax: +44-(0)20-7681-2977
sales.europe@lumi.works

North America Sales Office

Phone: +1-(248)-436-8160
Fax: +1-(248)-281-5236
sales.usa@lumi.works

Lumiworks-Photonics Ltd. P.O.B. 244 Givat-Shmuel 5410102, Israel

Lumiworks

Ordering Information

Item Description	P/N
Fiber-Coupled High-Power filtered UV 365 nm LED light source for NDT applications. XX – Please specify output connector SMA or FC Power adaptor is included. Optical Fiber not included - see below. RemCTRL not included - see below	FC-F-UV-XX
Optional wired remote-control unit for manual control of the HB-FC illuminator. Cable included.	RemCTRL
USB interface to control HB-FC-White from Windows software like uManager etc. LabVIEW, Python and other example control code is available. Cable included.	FC-F-UV-USB
RS232 interface to control HB-FC-White from Windows software like uManager etc. LabVIEW, Python and other example control code is available. Cable included.	FC-F-UV-RS232
Ø1 inch Fiber collimator for High NA fibers up to NA=0.53	FCM1-0.5
Ø0.5 inch Fiber collimator for High NA fibers up to NA=0.53	FCM05-0.5
Ø1 inch Fiber collimator for High NA fibers up to NA=0.63	FCM1-0.6
Ø1 inch Focuser to be used with FCM1-0.X fiber collimator. Please specify requirement	FOC1

Optional Fibers:

Fiber P/N	Core [mm]	OD [mm]	NA	Lighting Angle [Deg.]
PXX-LG500-063	0.5	1.0	0.63	78
PXX-LG1000-063	1.0	2.2	0.63	78
PXX-LG1000-050	1.0	2.2	0.5	60
PXX-LG1500-050	1.5	2.2	0.5	60
PXX-LG2000-050	2.0	3.0	0.5	60

PXX – XX is fiber length in dm (decimeter)

Connectors: SMA – Cut and polished end

Main Office Phone: +972-72-2500097 Fax: +972-72-2500096 sales@lumi.works	European Sales Office Phone: +44-(0)77-9172-9592 Fax: +44-(0)20-7681-2977 sales.europe@lumi.works	North America Sales Office Phone: +1-(248)-436-8160 Fax: +1-(248)-281-5236 sales.usa@lumi.works
Lumiworks-Photonics Ltd. P.O.B. 244 Givat-Shmuel 5410102, Israel		