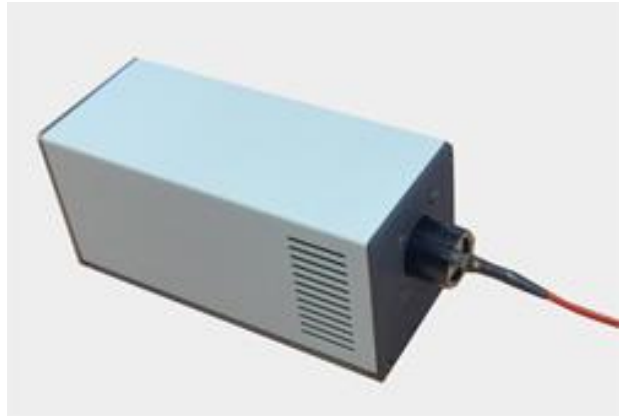


FC-LED-NDT High Power Filtered UV 365nm Fiber-Coupled Light Source

Ver. 4.0

Introduction

Lumiworks FC-LED-NDT Fiber-Coupled UV LED light source is designed especially for NDT inspection applications with Videoscopes and Borescopes. It can be used also in application requiring high brightness fiber coupled filtered UV light source. The FC-LED-NDT housing is self-contained light source including all necessary LED driver electronics, optical UV filter and thermal management, no special controller box is required to operate the module if used at factory preset power (max. power).



Key Features

- Complies with RRES-90061 specification: Type-D source.
- Time to stabilization <5 minutes
- Single chip High Brightness UV LED light source
- Filtered 365nm UV light to eliminate residual visible light
- Optional Remote Controller for Power and ON/OFF control
- Optional control form computer via USB or RS232
- Remote control by I²C protocol for OEMs
- Long life

Applications

- NDT applications with Videoscope
- Illumination through very small apertures

Main Office

Phone: +972-72-2500097
Fax: +972-72-2500096
sales@lumi.works

European Sales Office

Phone: +44-(0)77-9172-9592
Fax: +44-(0)20-7681-2977
sales.europe@lumi.works

North America Sales Office

Phone: +1-(248)-436-8160
Fax: +1-(248)-281-5236
sales.usa@lumi.works

Lumiworks-Photonics Ltd. P.O.B. 244 Givat-Shmuel 5410102, Israel

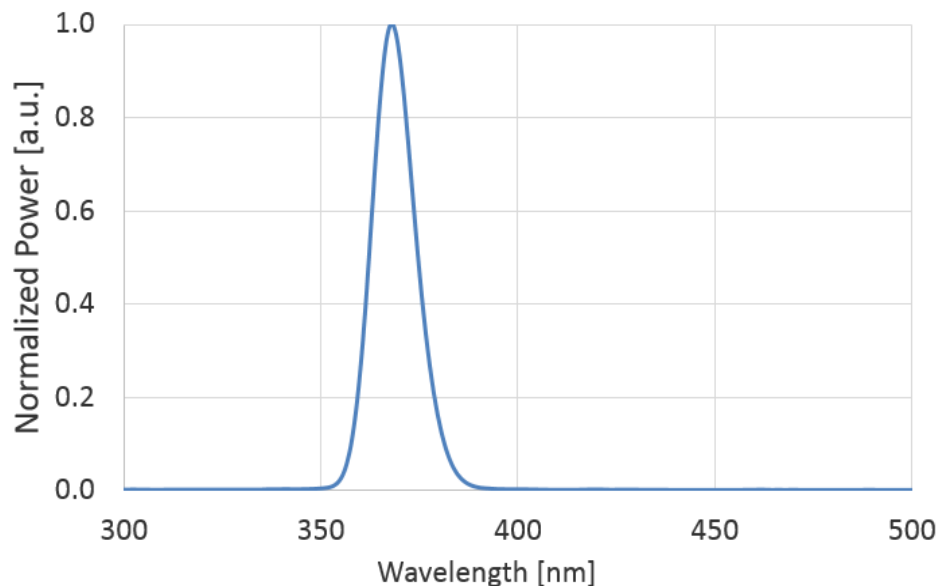
Lumiworks

Optical Specifications

For standard video-scope fiber P/N: P40-LG1000-050 the 5000 [$\mu\text{W}/\text{cm}^2$] is achieved at 30 mm distance from fiber distal end.

Complies with RRES-60061 specification: Type-D source.

Wavelength	nm	365 ± 5
Visible light	Lux	< 20
Time to stabilization T_s	minutes	<5



Electrical Specifications

Input Voltage	V	12
Power Adaptor Input		100-240 VAC, 50/60Hz, 0.7A
Power adaptor dimensions (L x W x H)	mm	90 x 53 x 35
Power adaptor weight	g	190
Power adaptor safety		

Main Office

Phone: +972-72-2500097
Fax: +972-72-2500096
sales@lumi.works

European Sales Office

Phone: +44-(0)77-9172-9592
Fax: +44-(0)20-7681-2977
sales.europe@lumi.works

North America Sales Office

Phone: +1-(248)-436-8160
Fax: +1-(248)-281-5236
sales.usa@lumi.works

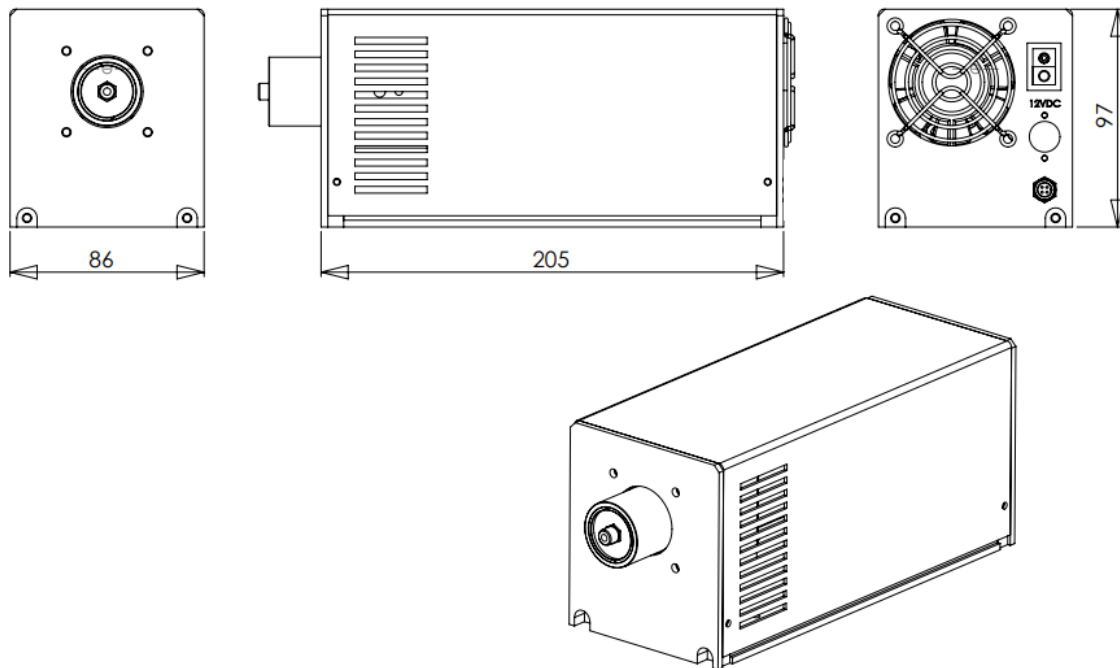
Lumiworks-Photonics Ltd. P.O.B. 244 Givat-Shmuel 5410102, Israel

Lumiworks

General Specifications

Operation temperature range	°C	10 - 50
Storage temperature range	°C	-10 - 55
Operating relative humidity (Non-condensing)	%	<90
Head weight	g	750

Mechanical Drawings



Main Office

Phone: +972-72-2500097

Fax: +972-72-2500096

sales@lumi.works

European Sales Office

Phone: +44-(0)77-9172-9592

Fax: +44-(0)20-7681-2977

sales.europe@lumi.works

North America Sales Office

Phone: +1-(248)-436-8160

Fax: +1-(248)-281-5236

sales.usa@lumi.works

Lumiworks-Photonics Ltd. P.O.B. 244 Givat-Shmuel 5410102, Israel

Lumiworks

Ordering Information

Item Description	P/N
Fiber-Coupled High-Power filtered UV 365 nm LED light source for NDT applications. Power adaptor is included. Optical Fiber not included - see below. RemCTRL not included - see below	FC-LED-NDT
Optional wired remote-control unit for manual control of the FC-LED-NDT illuminator. Cable included.	RemCTRL
USB interface to control FC-LED-NDT from Windows software like LabVIEW, Python and other. Example control code is available. Cable included.	FC-LED-NDT-USB
RS232 interface to control FC-LED-NDT from Windows software like LabVIEW, Python and other. Example control code is available. Cable included.	FC- LED-NDT-RS232
Ø1 inch Fiber collimator for High NA fibers up to NA=0.53	FCM1-0.5-SMA
Ø0.5 inch Fiber collimator for High NA fibers up to NA=0.53	FCM05-0.5-SMA
Ø1 inch Fiber collimator for High NA fibers up to NA=0.63	FCM1-0.6-SMA
Ø1 inch Focuser to be used with FCM1-0.X fiber collimator. Please specify focal length (FL)	FOC-CM1-FL

Optional Fibers:

Fiber P/N	Core [mm]	OD [mm]	NA	Lighting Angle [Deg.]
PXX-LG500-063	0.5	1.0	0.63	78
PXX-LG1000-063	1.0	2.2	0.63	78
PXX-LG1000-050	1.0	2.2	0.5	60
PXX-LG1500-050	1.5	2.2	0.5	60
PXX-LG2000-050	2.0	3.0	0.5	60

PXX – XX is fiber length in dm (decimeter)

Connectors: SMA – Cut and polished end

Main Office	European Sales Office	North America Sales Office
Phone: +972-72-2500097	Phone: +44-(0)77-9172-9592	Phone: +1-(248)-436-8160
Fax: +972-72-2500096	Fax: +44-(0)20-7681-2977	Fax: +1-(248)-281-5236
sales@lumi.works	sales.europe@lumi.works	sales.usa@lumi.works
Lumiworks-Photonics Ltd. P.O.B. 244 Givat-Shmuel 5410102, Israel		